



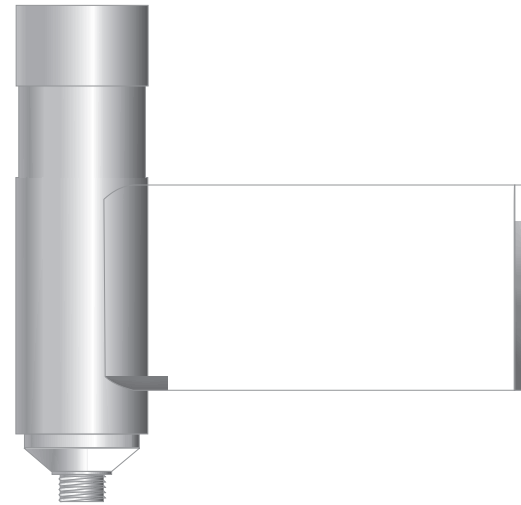
GENERAL PRODUCT INFORMATION:



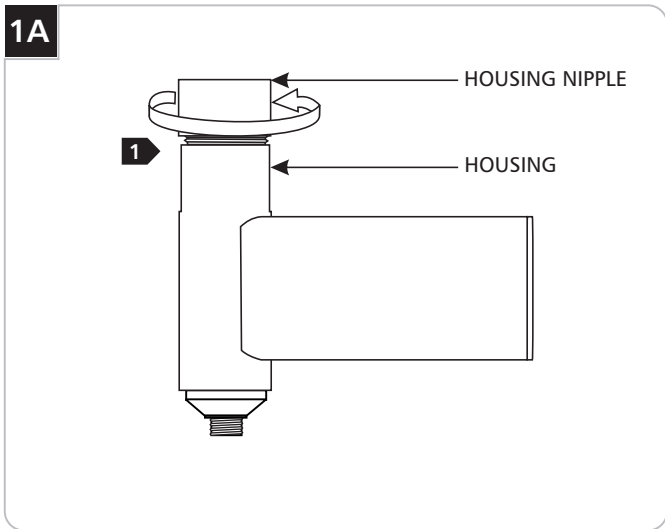
This product is suitable for indoor dry locations only.

This product is dimmable with a standard incandescent dimmer.

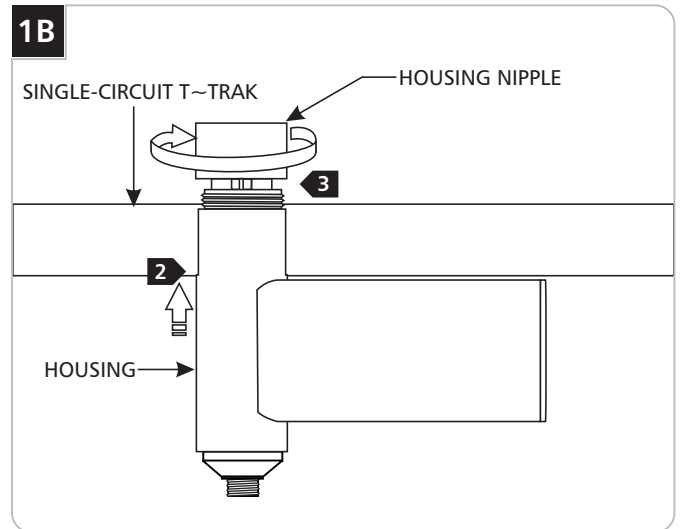
**NOTE:** Turn the power to Single Circuit T~trak™ off before installing, removing, or relamping the fixture.



Install the FreeJack Connector



1 ➤ Unscrew the housing nipple from housing.

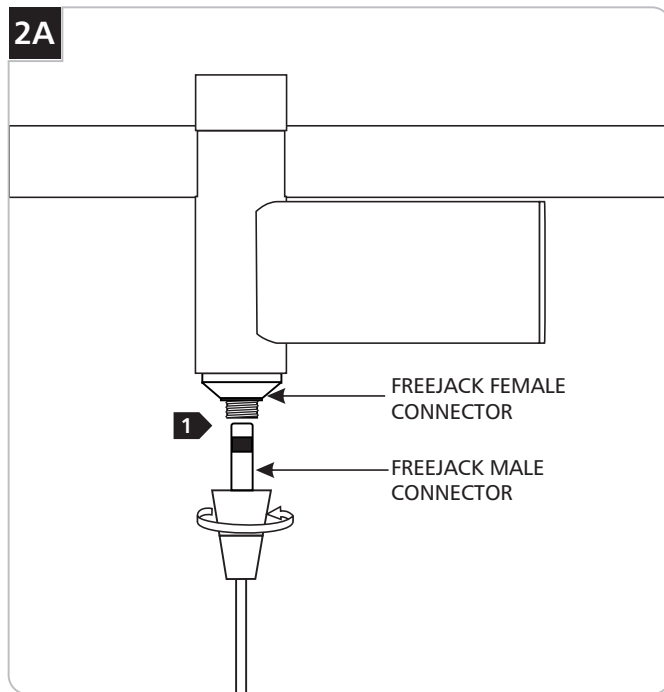


2 ➤ From bottom of the Single-Circuit T~trak, place the housing onto the Single-Circuit T~trak and push it all the way up.

3 ➤ Line up the housing nipple with the housing and tighten it to housing.

**NOTE:** In case of cross threading, unscrew the housing nipple from the housing and repeat steps 3 & 4.

## Connect the Fixture to FreeJack Connector



- 1 Screw the FreeJack male connector into the FreeJack female connector.

**NOTE:** Maximum load capacity of the FreeJack connector is **75 Watts**.

**SAVE THESE INSTRUCTIONS!**

**T~trak™**  
a brand of **TECH LIGHTING®**

7400 Linder Ave.  
Skokie, IL 60077  
847.410.4400

[www.ttraklighting.com](http://www.ttraklighting.com)